

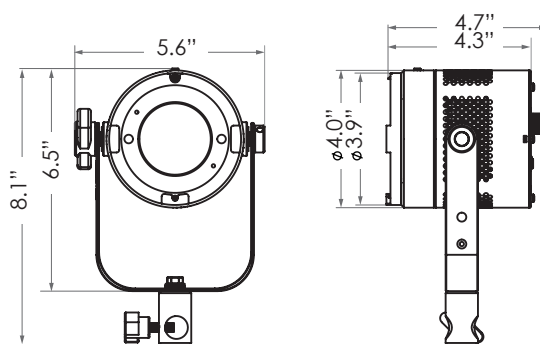
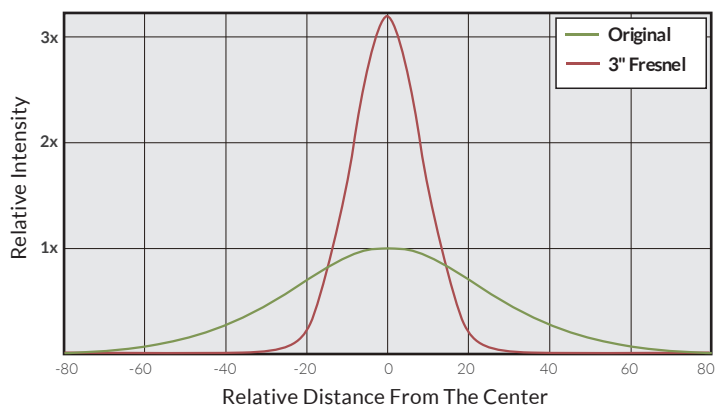
The **P3 Color** is a portable 90W LED fixture that packs a ton of features into its compact two pound housing. The P3's white light output ranges from 2000 - 10000K with excellent CRI, and its various color control modes allow users to access the full range of vibrant RGB illumination. At the core of the P3 is Fiilex's patented Dense Matrix LED, which is an extremely small light source capable of producing crisp shadows and clean barndoor cuts. Accessory attachments can diffuse or focus the P3's output. No other portable LED fixture can match the P3's combination of power, size, and versatility.



FEATURES

- High-CRI white light output (2000-10000K)
- Dims to 0% with no flicker or color shift
- IP-X5 Rating (water-resistant)
- Easy PSU / battery mounting on yoke
- Removable yoke for versatile rigging
- Additional 8 and 16 bit color modes: HSI, Effects, CCTRGBW, Gels, CIExy, etc.
- Calibrated for accurate output at any color / intensity setting
- Light intensifying / diffusing accessories available
- XLR DMX Adapter yoke attachment available

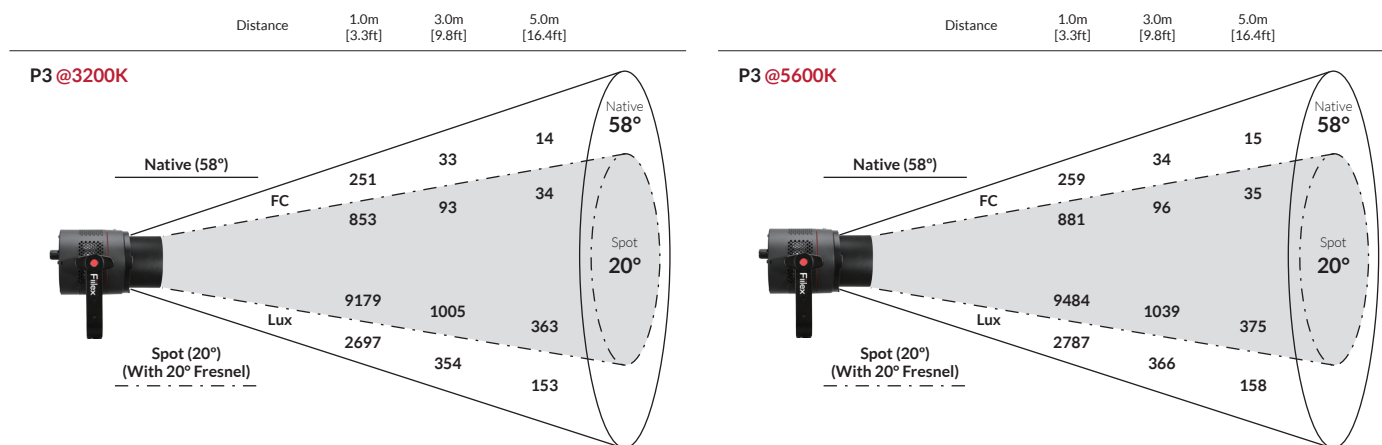
BEAM PROFILE



SPECIFICATIONS

Beam Angle	60° (20° with fresnel accessory)
CCT Range	2000-10000K continuous tuning + magenta/green shift
CRI / TLCI	95 / 90 typical
Control Modes	CCT, HSI, RGBW, Gel, Effects, CIExy, CCT + HSI, CCT + RGBW, etc.
Dimming	100% - 0% flicker free
Power Draw	90W max
Max. Power Draw	90W AC 80W DC
DC Input	14 - 30V DC
AC Input	100 - 240V AC, 50 ~ 60Hz
DMX Port	TRRS (XLR-5 DMX Adapter accessory available)
Weight	2.0lbs / 0.9kg
Size (L x W x H)	4.7" x 5.6" x 8.1" / 11.9cm x 14.2cm x 20.6cm
Mount	Baby stud 5/8" female (16mm)
IP Rating	IP-X5 (water-resistant)
Thermal Design	Advanced vapor cooling system (fan cooled)
Operating Temperature	32 - 104°F / 0 - 40°C

PHOTOMETRIC DATA



ACCESSORIES

